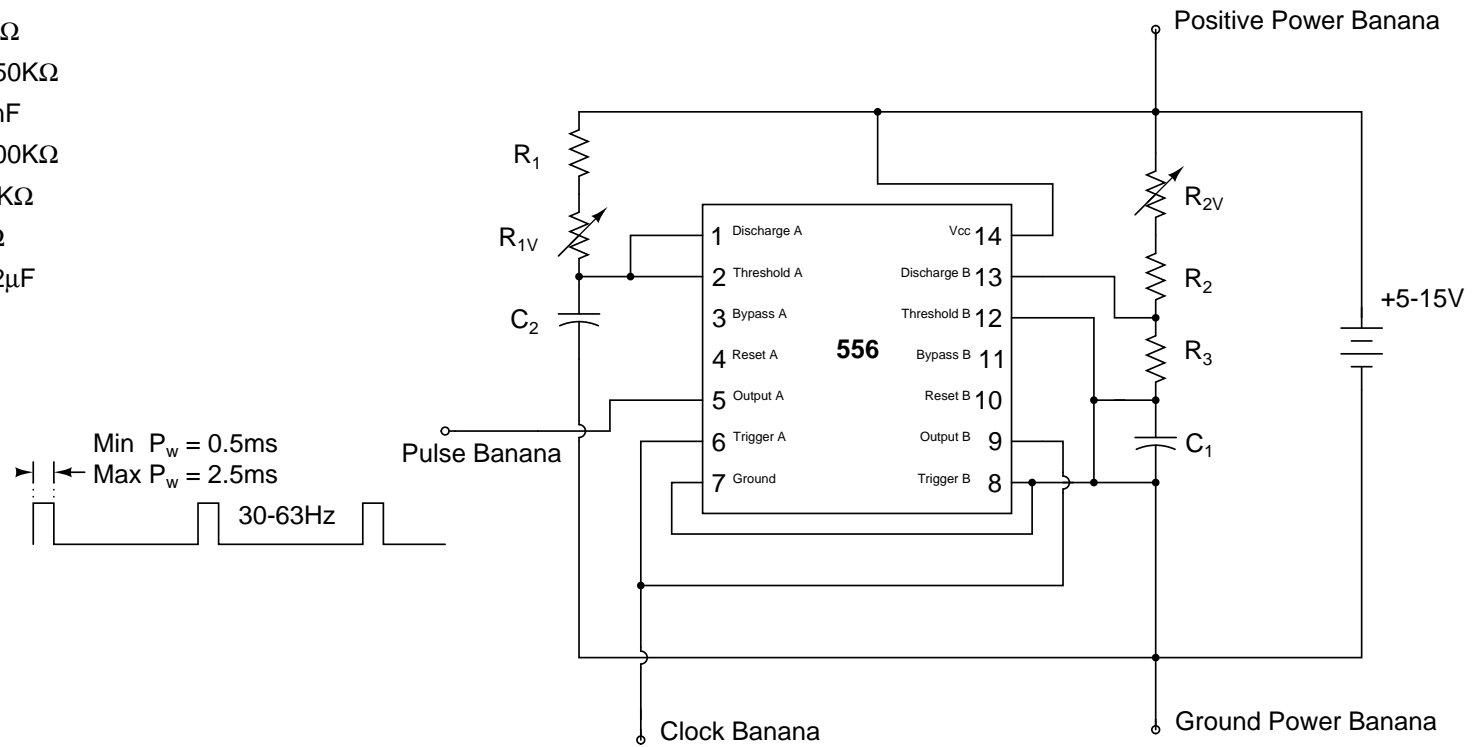


RC Servo Test Circuit

- R_1 62K Ω
- R_{1V} 0-250K Ω
- C_2 7.5nF
- R_{2V} 0-100K Ω
- R_2 100K Ω
- R_3 1K Ω
- C_1 0.22 μ F



This circuit is capable of generating RC server control signals that precisely duplicate the output of most RC receivers on the market today. The frequency range is 30Hz to 63Hz and the pulse range is from 0.5ms to 2.5ms. The components have been carefully selected so that a very close approximation to Futaba equipment is achieved when both pots are at the center position (44Hz with 1.5ms pulses).